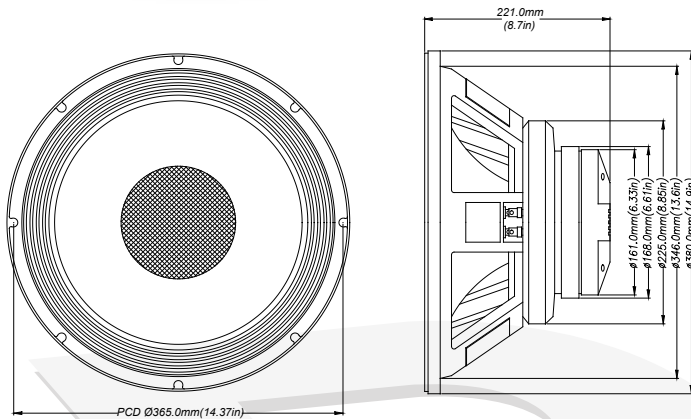




SINCE 1991

# The Ultimate Speaker

# BM-15CX38



## Application

Series Name	BM-Series
Model Name	BM-15CX38
Code Number	42015048

## General Specifications

Nominal Diameter	380 mm (15.0 inch)
Rated Impedance	8 Ohm
Power Handling Capacity	600 W
Sensitivity 2.83 V, 1M	98 dB
Effective Piston Diameter	325 mm (12.8 inch)
Voice Coil Diameter	99.30 mm (4 inch)

## Thiele & Small Parameters

Resonance Frequency	F <sub>s</sub>	42.9 Hz
DC Resistance	R <sub>e</sub>	6.9 Ohm
Mechanical Q Factor	Q <sub>ms</sub>	8.403
Electrical Q Factor	Q <sub>es</sub>	0.322
Total Q Factor	Q <sub>ts</sub>	0.310
BL Factor	BL	19.87 T x m
Effective Moving Mass	M <sub>ms</sub>	68.33 g
Equivalent C <sub>as</sub> air load	V <sub>as</sub>	196.50 liters
Effective piston area	S <sub>d</sub>	0.0830 m <sup>2</sup>
Voice - coil inductance@ 1KHz	Le <sub>1k</sub>	1.05 mH
Half -space efficiency	Eff	4.67 %
Airgap Height	H <sub>ag</sub>	8.0 mm
Voice coil Height	H <sub>vc</sub>	17.0 mm
Voice Coil Over - Hung	X <sub>max</sub>	4.5 mm

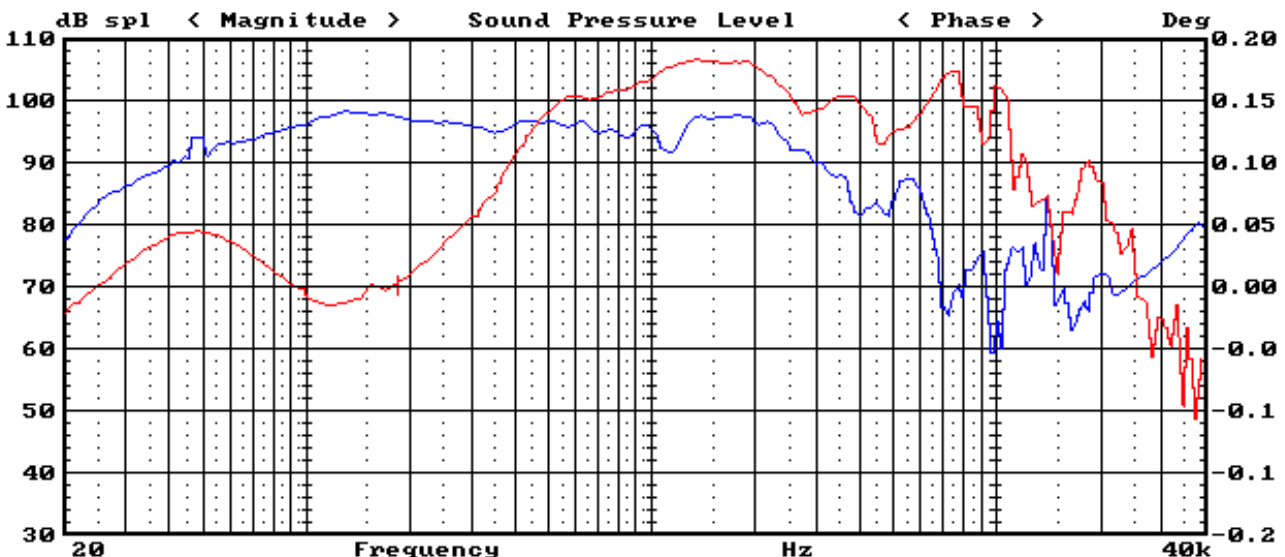
## HF Unit

Power Capacity (RMS)	100 W
Sensitivity 1W / 1M	109 dB
Frequency Range	500 -18K Hz
Voice coil Diameter	72.2 mm 2.84 inch
Diaphragm Material	Titanium
Dispersion Pattern	90° x 90°

## Physical Information

Basket	Cast Aluminium
Magnet type,size ODxDxH(mm)	Ferrite 100.5 oz 220 x 110 x 20 mm
Voice coil Former	Fiber Glass
Voice coil Material	ALR
Cone Material	Pulp Paper
Surround	Treated Cloth
Dust Cap	Porous Cloth
Unit Weight	14.91 Kg
Gross Weight	15.93 Kg
Packing Dimension W x L x H(cm)	44.0 x 44.0 x 28.0 Vol. 1.91 Cu.Ft

## Frequency Response



**P.AUDIO SYSTEM CO.,LTD.**

19 / 4 Moo.2 T.Bangkratuk A.Sampran Nakornpathom 73210 THAILAND

Tel : +66 2 441 6600 Fax : +66 2 441 6699

e-mail : info@PaAcoustic.com www.paacoustic.com